



PRELIMINARY

SOLID STATE DEVICES, INC

14849 Firestone Boulevard · La Mirada, CA 90638  
Phone: (714) 670-SSDI (7734) · Fax: (714) 522-7424

## Designer's Data Sheet

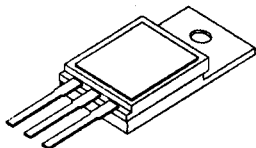
### FEATURES:

- Low Reverse Leakage
- Low Forward Voltage Drop
- Guard Ring for Overvoltage protection
- Isolated Hermetically Sealed Power Package
- Low inductance leads
- Ideal for High Voltage Applications
- Custom Lead Forming Available
- Eutectic Die Attach
- 175°C Operating Temperature
  
- TX, TXV and Space Level Screening Available

# SSR1045C

## 10 AMP 45 VOLTS SCHOTTKY RECTIFIER

CERAMIC TO-254



## MAXIMUM RATINGS

RATING	SYMBOL	VALUE	UNIT
Peak Repetitive Reverse and DC Blocking Voltage	VRRM	45	Volts
	VRWM		
	VR		
Average Rectified Forward Current (Resistive Load, 60Hz, Sine Wave, TA=25°C)	IO	10	Amps
Peak Surge Current (8.3 ms Pulse, Half Sine Wave Superimposed on IO, allow junction to reach equilibrium between pulses, TA=25°C)	IFSM	150	Amps
Operating and storage temperature	Top & Tstg	-65 to +175	°C
Maximum Thermal Resistance Junction to Case	RθJC	1.5	°C/W

NOTE: All specifications are subject to change without notification. SCD's for these devices should be reviewed by SSDI prior to release.

DATA SHEET#: RS0137 A

MED

# SSR1045C

PRELIMINARY



SOLID STATE DEVICES, INC

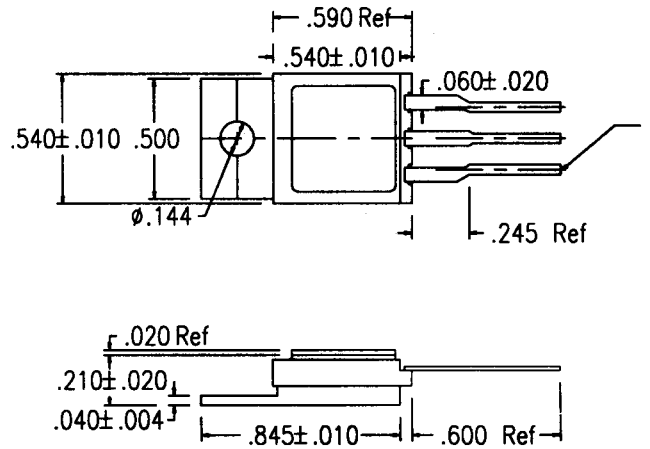
14849 Firestone Boulevard · La Mirada, CA 90638  
 Phone: (714) 670-SSDI (7734) · Fax: (714) 522-7424

## ELECTRICAL CHARACTERISTICS

CHARACTERISTICS	SYMBOL	MAXIMUM	UNIT
<b>Instantaneous Forward Voltage Drop</b> (IF = 5 Adc, TA=25°C, 300µs Pulse) (IF = 10 Adc, TA=25°C, 300µs Pulse)	<b>VF1</b>	0.55 0.62	Vdc
<b>Instantaneous Forward Voltage Drop</b> (IF = 5 Adc, TA= - 55°C, 300µs Pulse)	<b>VF2</b>	0.59	Vdc
<b>Reverse Leakage Current</b> (Rated VR, TA=25°C, 300µs pulse minimum)	<b>IR1</b>	200	µA
<b>Reverse Leakage Current</b> (Rated VR, TA=100°C, 300µs pulse minimum)	<b>IR2</b>	10	mA
<b>Junction Capacitance</b> (VR = 10 Vdc, TA=25°C, f= 1 MHz)	<b>CJ</b>	400	pf

## CASE OUTLINE: CERAMIC TO-254 PIN OUT:

- PIN 1: CATHODE**
- PIN 2: ANODE**
- PIN 3: ANODE**



## TYPICAL OPERATING CURVES

(TA=25°C Unless otherwise specified)

